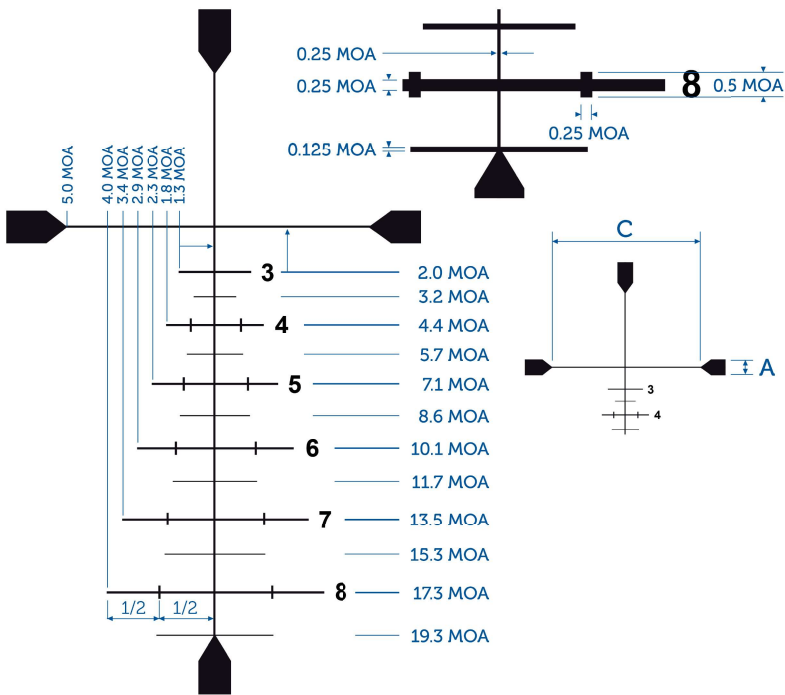


McWhorter MV

Meopta medium velocity ballistic compensation reticle. The McWhorter MV is in the MeoStar R1 3-12x56 and is in the 1st focal plane and is true at all powers. Designed for a .308 projectile with a BC of .508 at 3000 FPS.



MeoStar R1 3-12x56

	Dimensions				
	cm/100m	in/100yd	MOA	mRad	Power
A	6.0	2.16	2.06	0.60	
C	29.0	10.44	9.97	2.90	

MV=Medium Velocity, designed for .308 projectile, BC .508/3000 FPS